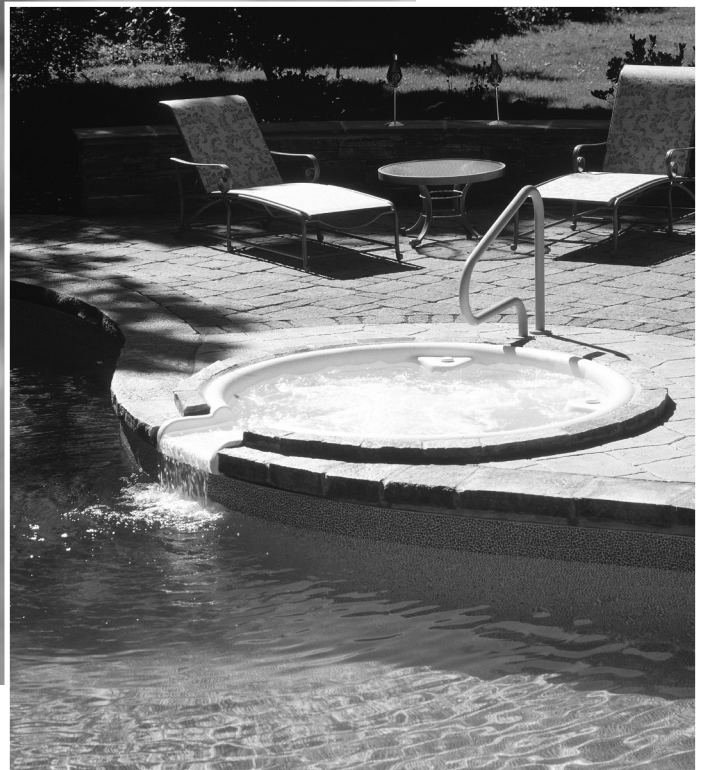


Whitewave™

spillover & poolside spa



Owners and Installation Manual

IMPORTANT

NOTES TO INSTALLER

***DO NOT** store this product empty in direct sunlight during or after installation without an opaque cover to prevent potential damage. (See page 8 for details)

***All *Whitewave Spas* are water tested at our factory prior to shipment. Because we can't guarantee what will happen to a spa after it leaves the factory. It is highly recommended that the installer PRESSURE TESTS all plumbing lines and fittings before any backfilling has been completed.**

Serial Number : _____

Date Installed : _____

Dealer : _____

Address : _____

Telephone : _____

NOTE: See page 2 & 3 for serial number location on your spa.

- CONTENTS -

Safety Instructions	1
Overview of Whitewave Spillover Spa	2
Overview of Whitewave Poolside Spa	3
Installation Guidelines	4-6
Plumbing Guidelines	7
Care, Maintenance & Winterization	8
Warranty	9

IMPORTANT WATER SAFETY INSTRUCTIONS

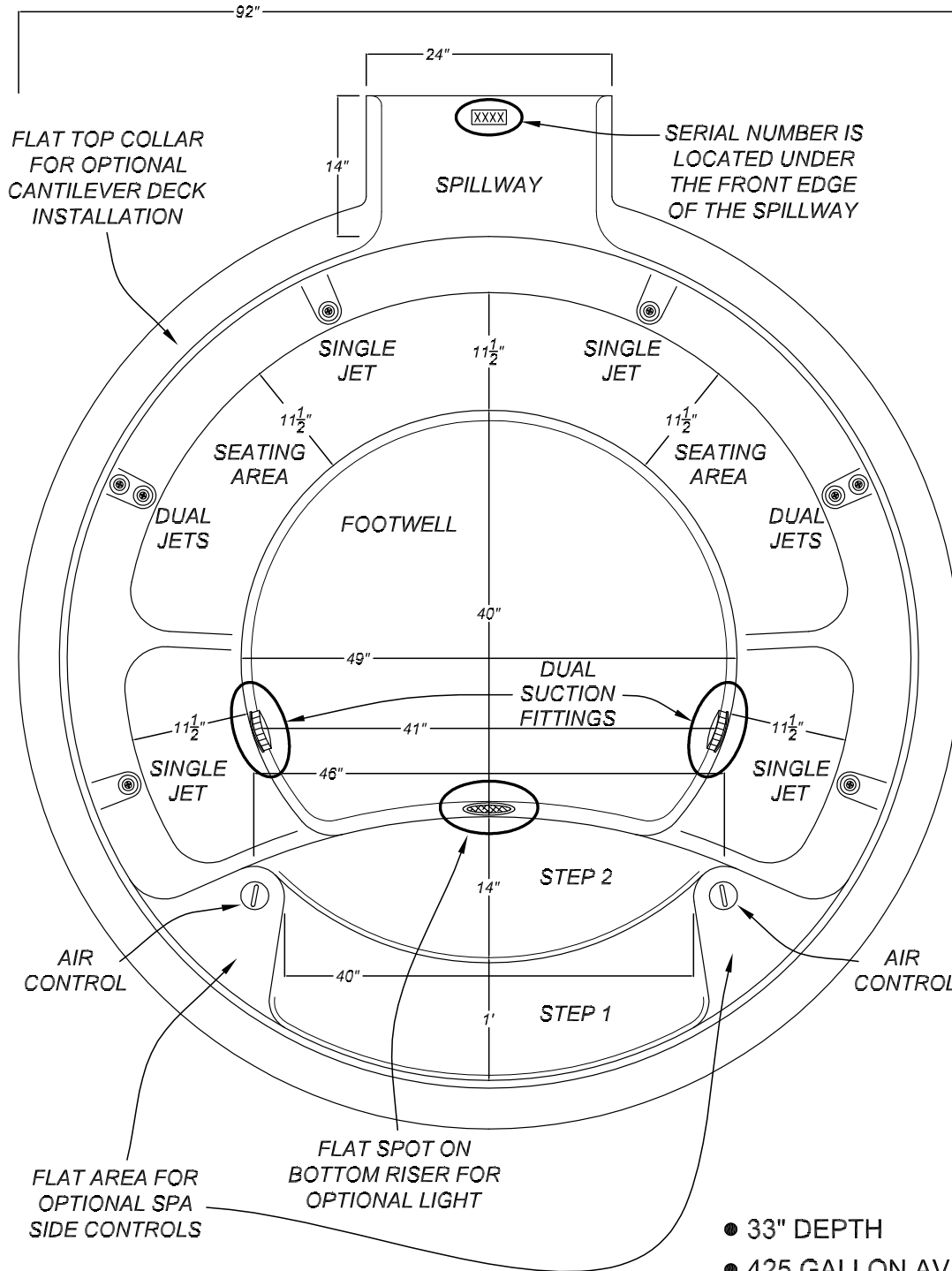
When installing and using the Whitewave Spillover or Poolside Spa basic safety precautions should always be followed, including those listed below.

READ AND FOLLOW ALL INSTRUCTIONS

1. **WARNING-** Risk of Accidental Drowning. Extreme caution must be exercised to prevent unauthorized access by children. To avoid accidents, ensure that children cannot use the spa or pool unless they are closely supervised at all times.
2. **DANGER-** To reduce the risk of injury, do not remove the suction fitting or main drain covers. Never operate the spa or pool if these covers are broken or missing. Never replace a suction fitting with one rated less than the flow rate marked on the original, and also does not meet the current Virginia Graeme Baker Pool And Spa Safety Act Standards.
3. **WARNING-** To reduce the risk of injury:
 - A. The water in a spa should never exceed 104°F (40°C). Water temperatures between 100°F (38°C) and 104°F (40°C) are considered safe for a healthy adult. Lower water temperatures are recommended for young children and when spa use exceeds 10 minutes.
 - B. Since excessive water temperatures have high potential for causing fetal damage during the early months of pregnancy, pregnant or possibly pregnant women should limit spa water temperatures to 100°F (38°C).
 - C. Before entering a spa, the user should measure the water temperature with an accurate thermometer since the tolerance of water temperature regulating devices may vary.
 - D. Prolonged immersion in water hotter than 104°F (40°C) may cause hyperthermia. Hyperthermia occurs when the internal body temperature reaches a level several degrees above normal body temperatures of 98.6°F (37°C). The symptoms of hyperthermia are
 1. Unawareness of impending hazard.
 2. Failure to perceive heat.
 3. Failure to recognize the need to exit the spa.
 4. Physical inability to exit the spa
 5. Fatal damage in pregnant women
 6. Unconsciousness resulting in a danger of drowning.
 - E. The use of alcohol, drugs, or medication can greatly increase the risk of fatal hyperthermia.
 - F. Leave the spa immediately if nausea, dizziness or headaches occur. Immediately cool the body taking a cool shower or by applying cold towels or ice packs. If the symptoms persist, seek medical attention.
 - G. The use of alcohol, drugs, or medication before or during spa use may lead to unconsciousness with the possibility of drowning.
 - H. Obese persons and persons with a history of heart disease, low or high blood pressure, circulatory system problems, or diabetes should consult a physician before using a spa.
 - I. Persons using medication should consult a physician before using a spa since some medications may induce drowsiness or may affect heart rate, blood pressure, and circulation.
4. Occasional users of the spa should be made aware of these important Safety Instructions.
5. **WARNING-** People with infectious diseases should not use a spa or pool.
6. **WARNING-** To avoid injury, exercise care when entering and exiting a spa or pool.
7. **WARNING-** Do not use a spa immediately following strenuous exercise.
8. **CAUTION-** Maintain water chemistry to provide a safe bathing environment.

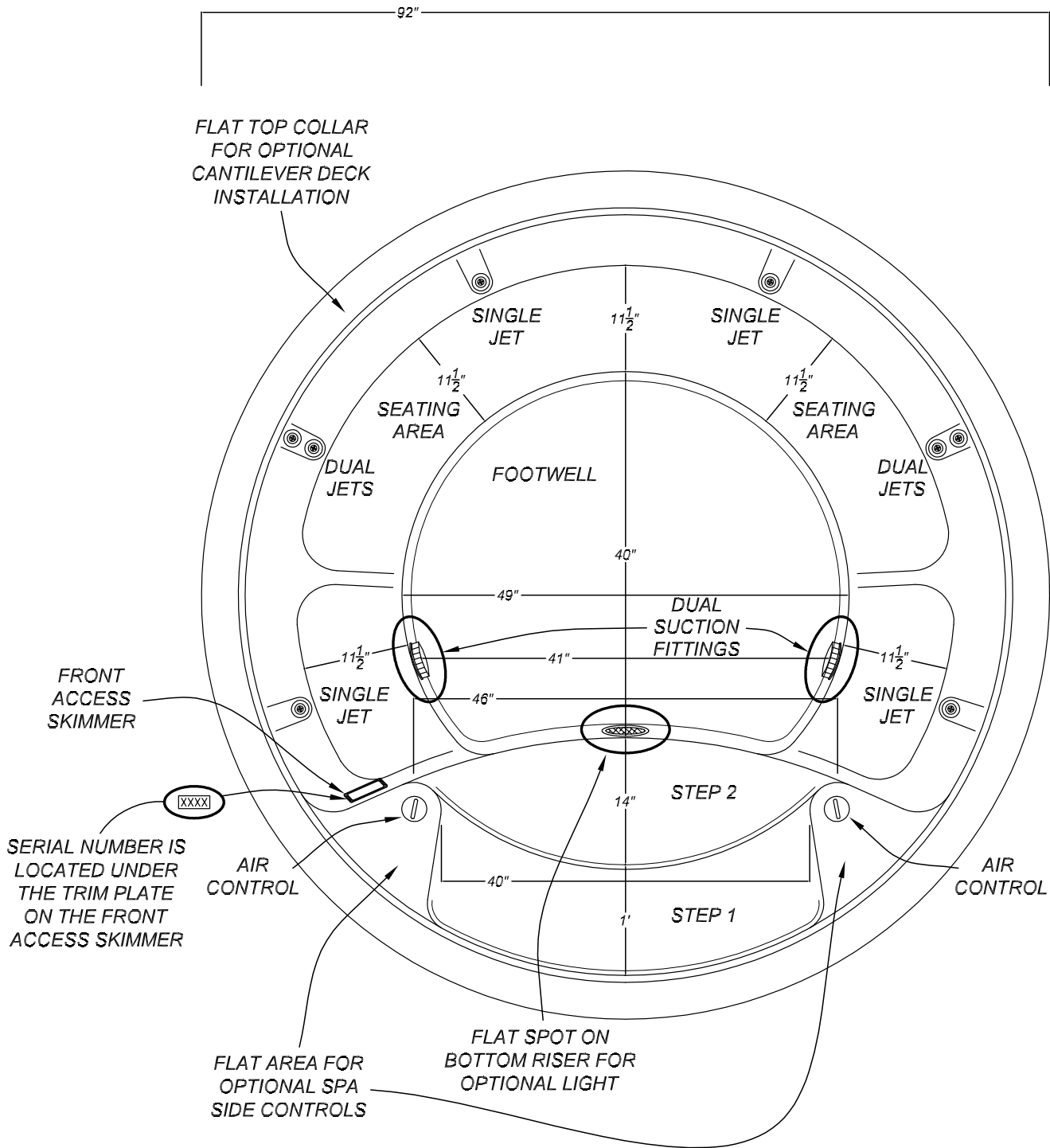
SAVE THESE INSTRUCTIONS

OVERVIEW OF THE WHITEWAVE SPILLOVER SPA



- 33" DEPTH
- 425 GALLON AVERAGE FILL
- 6 - 8 PERSON SEATING CAPACITY

OVERVIEW OF THE WHITEWAVE POOLSIDE SPA

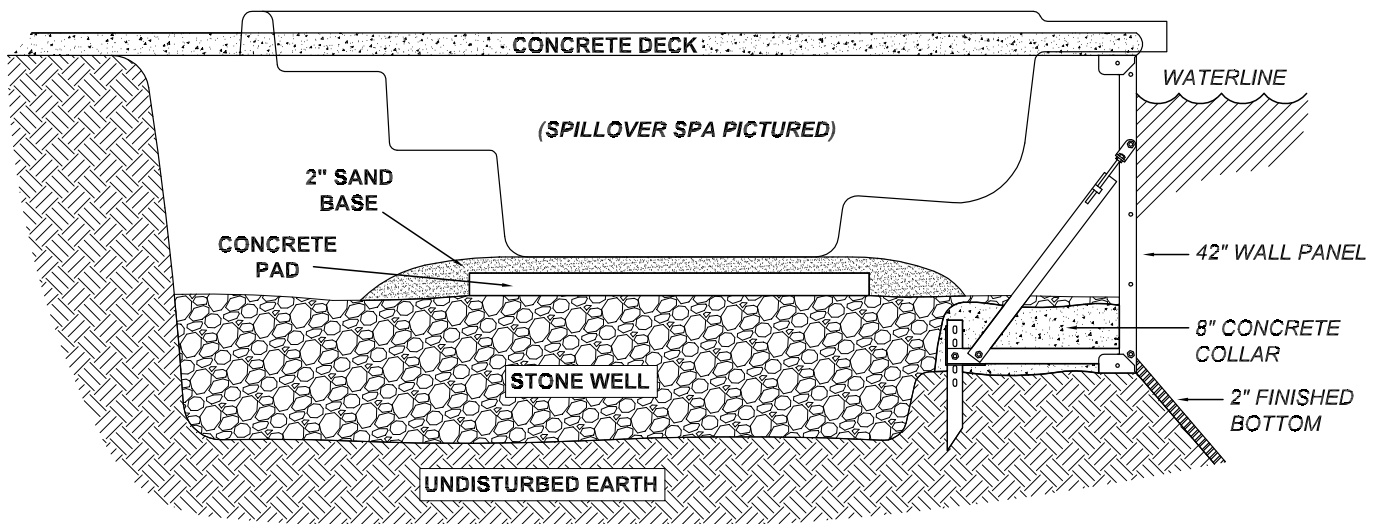


- 33" DEPTH
- 425 GALLON AVERAGE FILL
- 6 - 8 PERSON SEATING CAPACITY

SPA INSTALLATION

- Excavate a 11' x 11' area from the edge of the pool where the spa is to be placed. This will allow for an ~18" overdig.
- Depth of the excavation should be 6" to 8" below the wall and concrete collar (see diagram). This area must be the same size as the overdig. It will allow ground water to settle into the stone well and prevent the spa from floating up.
- Fill the well with $\frac{3}{4}$ " round stone. This will provide proper drainage.
- Backfill overdig area to a level of 6" below the finished elevation of the spa.
- Pour a 5' x 5' concrete pad 4" thick for the base of the spa to rest on at 2" below the finished elevation.
- Place a 2" bed of sand on top of the concrete pad and set the spa into the sand bed. Level the spa into final position.
- Run all plumbing lines and backfill with $\frac{3}{4}$ " round stone to avoid damaging the piping. (Backfilling with stone will provide the best drainage.)
- The concrete deck must be poured with the spa in its final position. The deck must be poured to a level above the bottom edge of the spa collar.

*** NEVER LIFT SPA BY ANY OF ITS PLUMBING LINES OR FITTINGS.**



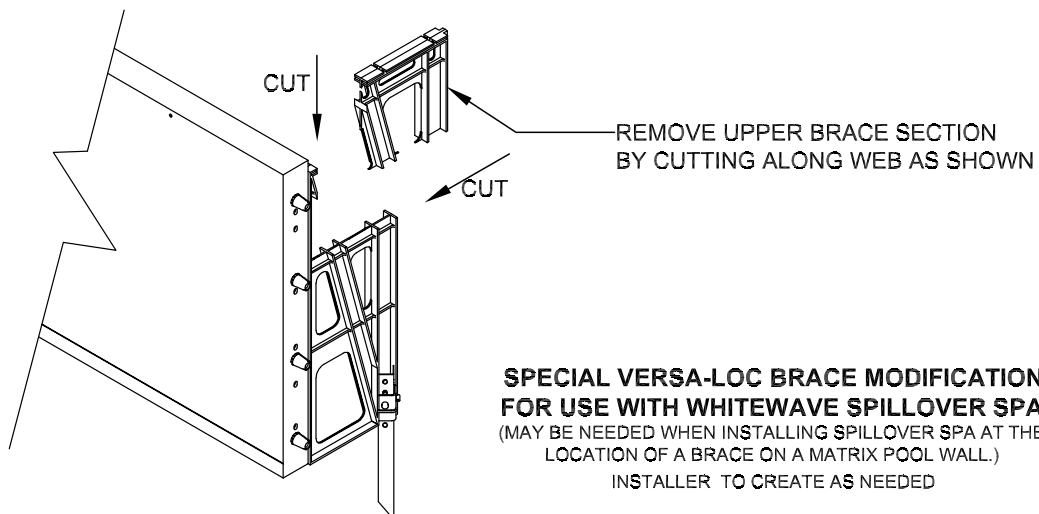
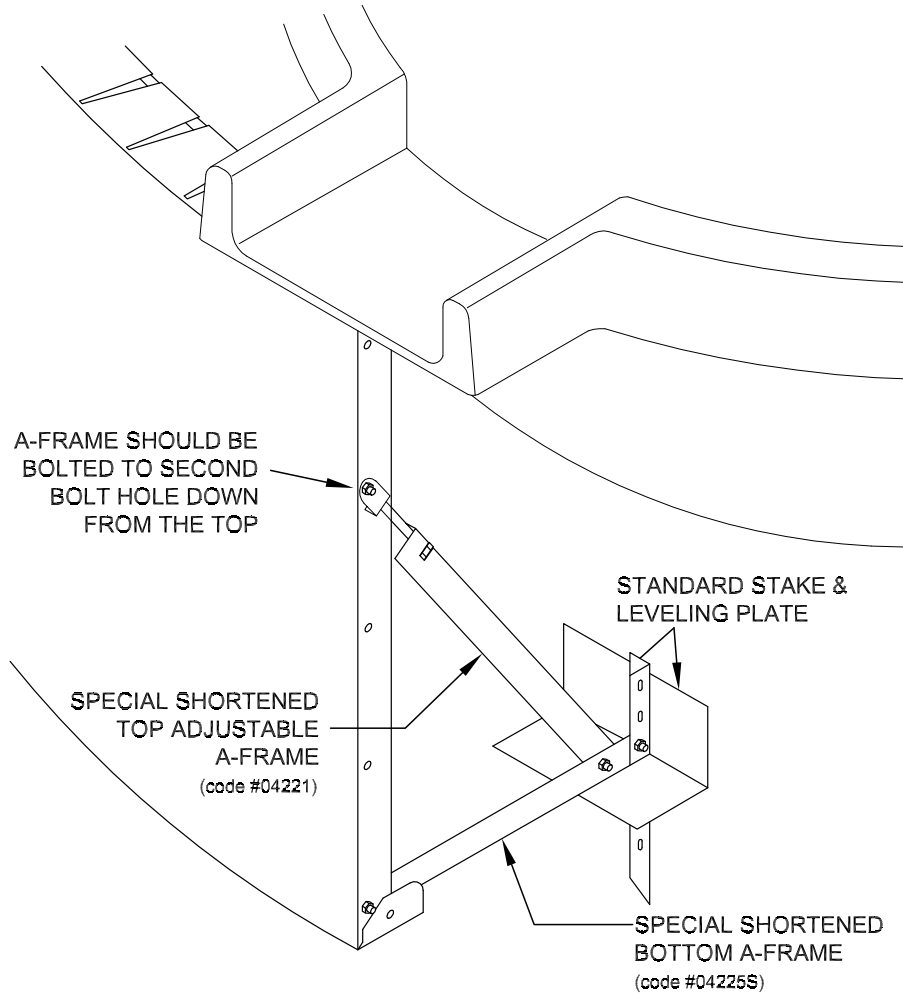
NOTE: installation may need to be changed or modified due to ground conditions.

SPILLOVER SPA INSTALLATION

SPECIAL A-FRAME ASSEMBLY FOR USE WITH WHITEWAVE SPILLOVER SPA *

(MAY BE NEEDED WHEN INSTALLING SPILLOVER SPA AT THE LOCATION OF AN A-FRAME ON A STEEL POOL WALL.)

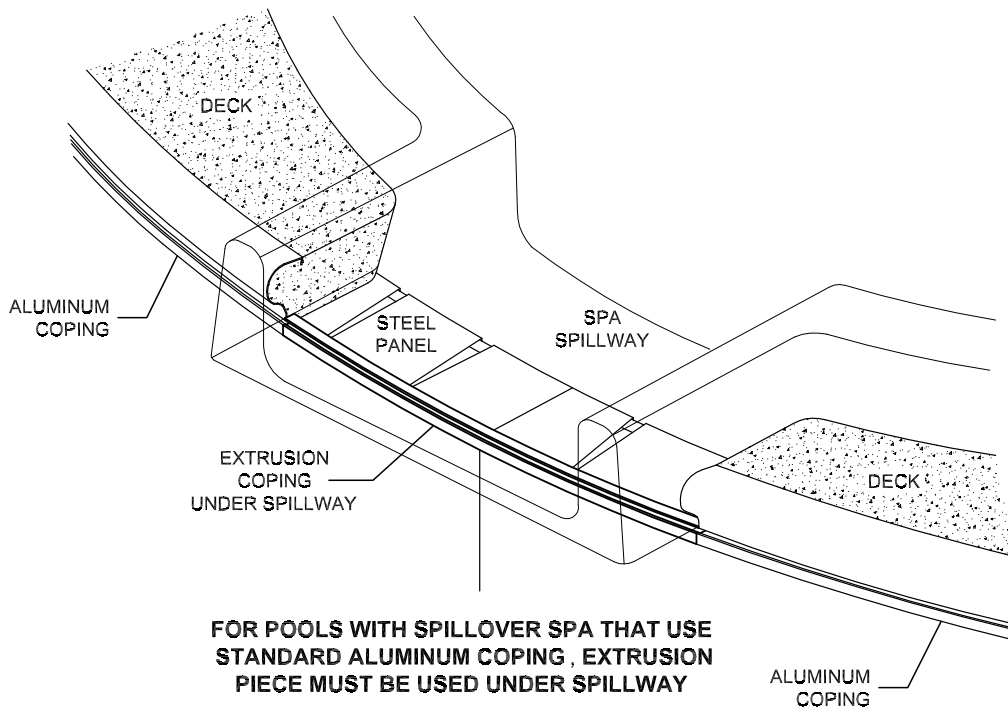
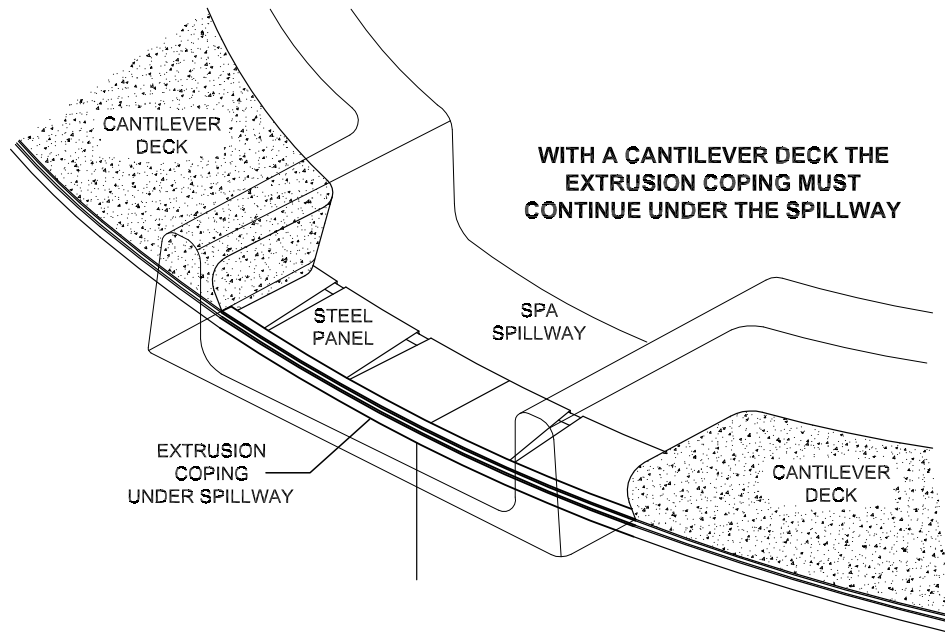
*--OPTIONAL A-FRAME NOT INCLUDED WITH SPA.



SPILLOVER SPA INSTALLATION

EXTRUSION COPING PIECE FOR USE WITH WHITEWAVE SPILLOVER SPA

(A 24" PIECE OF HORIZONTAL MOUNT EXTRUSION AND A 24" ABS SPACER ARE SUPPLIED WITH EVERY SPILLOVER SPA FOR USE UNDER THE SPILLWAY)



BASIC POOL & SPA PLUMBING

These schematics show the plumbing needed to operate a pool and spa that use common pumps, filters, and heaters.

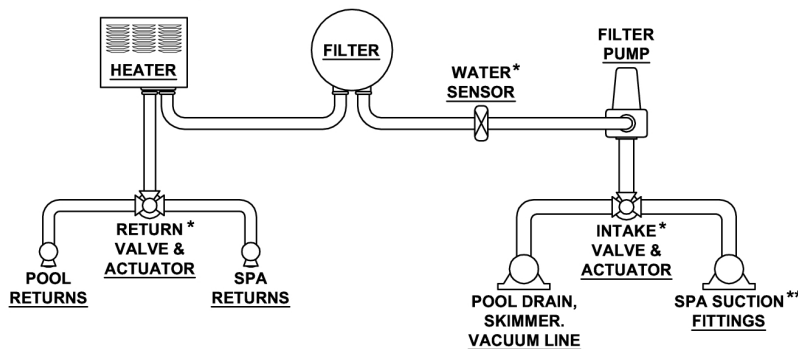
If you are using an optional automatic control system for your pool and spa equipment operation, follow the manufacturers instructions for installation.

The use of an independent equipment system may be a more desirable application with the whitewater poolside spa installation.

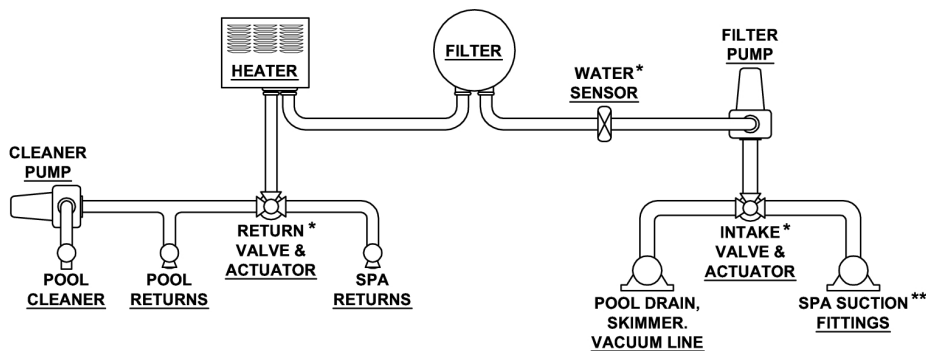
ALL PLUMBING MUST BE DONE USING 2" PIPE & FITTINGS. FILTER AND PUMP MUST ALSO BE 2".

Each hydrotherapy jet has an output of 13 GPM. The maximum listed flow rate is 200 GPM for the suction fittings.

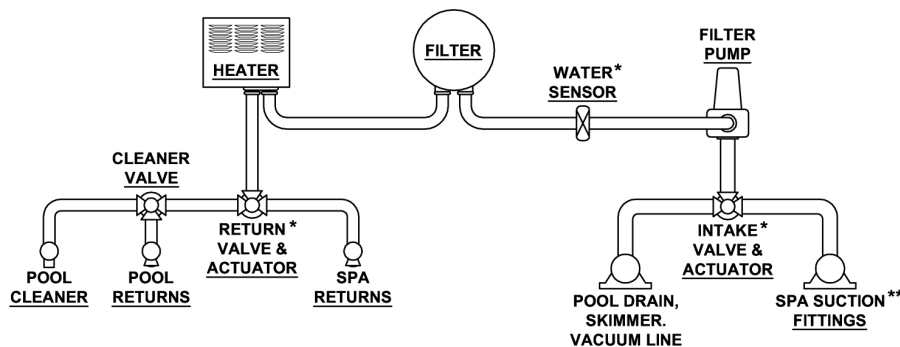
POOL AND SPA SYSTEM



POOL AND SPA SYSTEM WITH A PUMP-OPERATED CLEANER



POOL AND SPA SYSTEM WITH A VALVE-CONTROLLED CLEANER



* -WATER SENSOR AND VALVE ACTUATORS USED FOR AUTOMATIC CONTROL SYSTEMS ONLY.

** -IF SUCTION FITTING VALVE IS OPEN ON THE SPILLOVER SPA, YOU MUST HAVE VALVE OPEN ON RETURN SIDE TO SPA AT LEAST 20% TO PREVENT SPILLOVER FROM DRAINING.

CARE OF THE WHITEWAVE SPA SHELL

1. *Your Whitewave Spa is manufactured with an impact resistant surface. Some staining or water marking may occur at or above the water surface. Removal of these surface conditions can be accomplished with a soft cloth by merely wiping them away. Stubborn stains can be removed by using a non-abrasive product.*
2. *Spa shell may become slippery when algae forms or when body and suntan oils accumulate. It is important to clean them regularly.*
3. **IMPORTANT:** *To prevent your Whitewave Spa from floating up in areas of deep frost or high water tables, spa must be kept full of water at all times. If spa must be kept empty, it must be covered to prevent potential damage to the surface/finish which can result from excessive heat caused by the sun. This type of damage is specifically excluded from warranty protection.*

WINTERIZATION OF WHITEWAVE SPA

1. *All suction lines and return lines must be completely drained of water.*
2. *The use of compressed air will purge all lines of water.*
3. *Plug suction fittings with #10 winterizing plugs and hydrotherapy jets with #11 winterizing plugs.*
4. *Adding non-toxic antifreeze to lines after they are drained will help eliminate winter ice damage to plumbing lines if all the water was not drained out.*
5. *The Whitewave Spa must be securely covered with a winter cover.*

LIMITED WARRANTY

SARATOGA SPA & BATH THERMOFORMED WHITEWAVE POOLSIDE & SPILLOVER SPAS.

Date Warranty Begins	*This warranty begins on the date of installation.																				
What is Covered	<p>*This product is warranted by Saratoga Spa & Bath, Inc., to the original purchaser only, against failure resulting from defective material and workmanship for TEN (10) YEARS from installation with the repair or replacement cost to be prorated after the first year.</p> <p>*This warranty applies only to Whitewave Spas installed and purchased for private, residential use.</p> <p>*The pro rata repair or replacement schedules are the following percentages of the manufacturer's current suggested list price. The percentages are based on the length of time you have owned your whitewave spa measured from the date of installation.</p> <table><tr><td>Within 1 year</td><td>No Charge</td><td>After 5 years</td><td>50%</td></tr><tr><td>After 1 year</td><td>10%</td><td>After 6 years</td><td>60%</td></tr><tr><td>After 2 years</td><td>20%</td><td>After 7 years</td><td>70%</td></tr><tr><td>After 3 years</td><td>30%</td><td>After 8 years</td><td>80%</td></tr><tr><td>After 4 years</td><td>40%</td><td>After 9 years</td><td>90%</td></tr></table>	Within 1 year	No Charge	After 5 years	50%	After 1 year	10%	After 6 years	60%	After 2 years	20%	After 7 years	70%	After 3 years	30%	After 8 years	80%	After 4 years	40%	After 9 years	90%
Within 1 year	No Charge	After 5 years	50%																		
After 1 year	10%	After 6 years	60%																		
After 2 years	20%	After 7 years	70%																		
After 3 years	30%	After 8 years	80%																		
After 4 years	40%	After 9 years	90%																		
What is Not Covered	<p>*This warranty does not cover damage which results from your acts or acts of others abuse, negligence, accident, act of God, or normal wear and exposure to the elements.</p> <p>*This warranty does not cover damage resulting from improper installation. This product must be installed according to the manufacturer's installation instructions.</p> <p>*This warranty does not cover damage to the Whitewave Spa unit's finish/surface resulting from excessive heat caused by direct sunlight. Spa must be kept full of water at all times, if it must be kept empty unit needs to be covered with an opaque cover.</p> <p>*This warranty does not cover plumbing of Whitewave Spa unit. See dealer/installer for specific details on their warranty for the total pool/spa installation.</p> <p>*This warranty is null and void if alterations are made to the Whitewave Spa or if accessories that can cause damage to the Whitewave Spas are used.</p> <p>*Cosmetic nonstructural hairline cracks are excluded from this warranty.</p>																				
What We Will Do For You	<p>*We will replace or repair, according to the pro rata schedule, any Whitewave Spa found to be defective. Charges for shipping, removal, installation and service calls are not covered by this warranty.</p> <p>*Replacement or repair will be made within thirty (30) days, weather and conditions permitting, of confirmation of the defect and receipt of your payment, if required.</p>																				
How to Obtain Warranty Service	<p>*If your Saratoga Spa & Bath Whitewave Spa should fail during the warranty period as a result of a problem covered by this warranty you should notify us at our offices, in writing at the address shown below. We will need to know your name, address and telephone number, a description of the product and defect involved, the date of installation, and the name and address of the dealer from whom you purchased the Whitewave Spa. Also provide proof of purchase.</p> <p>*Determination of the claimed defect may be made upon receipt of the Whitewave Spa at our factory. At our option, confirmation may be made by an authorized representative at the pool site.</p> <p>*All warranty claims must be made directly with Saratoga Spa & Bath, Inc., and no merchandise is to be returned to us without prior written authorization.</p>																				
Disclaimer of Consequential Damages	*Saratoga Spa & Bath, Inc. Shall not be liable under any circumstances for any additional or consequential damages of any kind.																				
Limitation of Warranties	<p>*This warranty is enforceable only by the original retail purchaser as long as you reside at, own, and occupy without interruption, the property on which the Whitewave Spa was originally installed.</p> <p>*This warranty shall be unenforceable if you are in default under the terms of any agreement executed in connection with the purchase or installation of this Whitewave Spa.</p> <p>*This warranty is intended to be in lieu of any and all warranties expressed or implied. It is a complete statement of obligation. No agent or dealer or other individual is authorized to change this warranty and any such change will not be recognized by Saratoga Spa & Bath, Inc.</p> <p>*This warranty gives you specific legal rights. You also have implied warranty rights, and may have other rights which vary from state to state. In the event of a problem with warranty service or performance, you may be able to go to small claims court, state court or federal court.</p> <p>*This warranty is in compliance with the Consumer Product Warranty and Federal Trade Commission Improvement Act.</p>																				



Whitewave
spillover & poolside spa™



33 Wade Road, Latham, NY 12110
4/11 Code# 25555OM